

SONY

Hi-Fi Products
Service Bulletin

Sony Service Company - Technical Services
A Division of Sony Corporation of America
Sony Drive, Park Ridge, New Jersey 07656

Model: TA-E511

No. 247

Subject: Tuner Bleed Through

Date: February 19, 1992

Symptom:
(53)

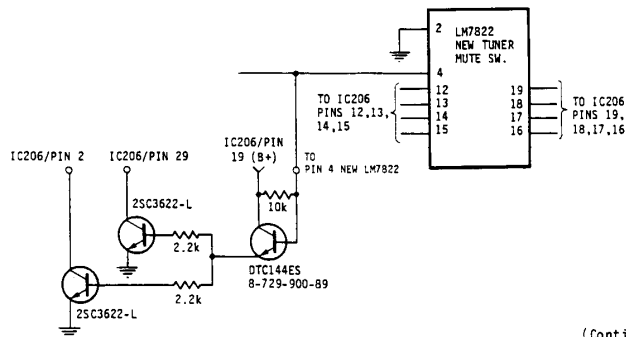
Tuner bleed through while listening to another source (ie. CD, DAT, Phono, Tape). This is most noticeable during a quiet passage or between tracks when the volume is at a high level.

The problem appears to be IC206, the analog switch LC7822. The switch and the unit are working to specification, and the following modification need only be done for those customers who find this condition unacceptable.

Solution: Implement the following circuit. This circuit mutes the tuner when another source is selected and still allows for tuner mute between radio stations or during station search.

The following parts must be added to the existing circuit:

DESCRIPTION	PART NUMBER
LM7822	8-759-805-14
10K RESISTOR	1-249-429-11
2.2K RESISTOR	1-247-717-11
2SC3622-L	8-729-107-91
DTC144-ES	8-729-900-89

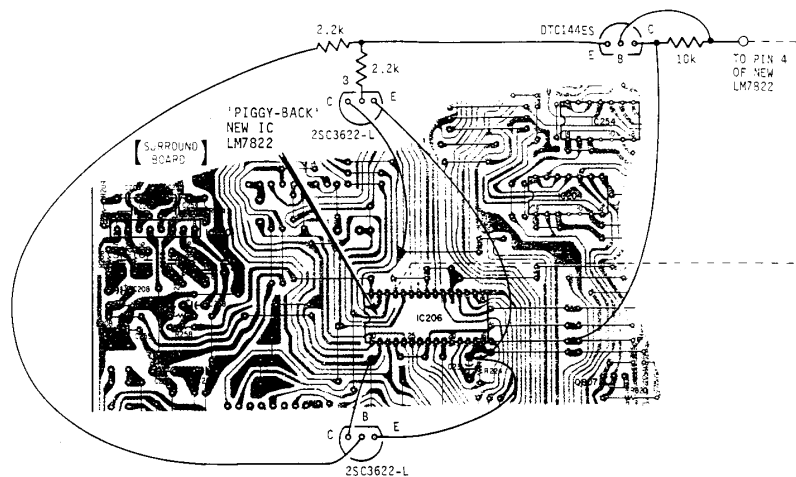


(Continued)

Reference: FPR M0220

PRINTED IN U.S.A.
CSA-13192-12

CSA-13 Integrated Amplifier



- Procedure:**
1. Piggy back chip to be added (LM 7822) onto IC206, soldering pins 12 to 12, 13 to 13, 14 to 14, 15 to 15, 16 to 16, 17 to 17, 18 to 18, and 19 to 19. Bend pins 2 and 4 of this new IC out and cut off pins 1,3,5,6,7,8,9,10,11, 20,21,22,23,24,25, 26, 27,28,29 and 30.
 2. Connect pin 2 to Pin 16 of LM7822.
 3. Connect pin 4 to 10K resistor and DTC 144-ES Transistor as illustrated.
 4. Connect 2.2K resistors (2) and 2SC3622-L Transistors (2) as illustrated.
 5. Make sure all new wires and leads have been neatly clipped and do not interfere with the normal operation of the unit.
 6. Testing the unit should include the following:
 - a. Connect tuner source and check that tuner audio is present when tuner function is selected.
 - b. Select a different source and check that tuner does not bleed through when no signal is present. No tuner bleed through at maximum volume, especially when phono is selected.

Note: Phono input terminals should be terminated.